

## SERVICE BULLETIN 01/2017

**Bulletin Number:** 01/2017

**Issue Date:** 4th December 2016

**Subject:** Increase security of ballistic rescue system

**Classification:** Perforce

**Airplanes Affected (s/n):** JA-400:

- 4 000 242 S
- 4 206 225 R
- 4 232 243 S
- 4 240 263 V
- 4 251 273 U
- 4 265 287 V

**Pages:** 4

**Compliance:** After receive of this Service Bulletin

**Reason:** Improving safety hinge rescue system

**Description:** Exchange parts in hinge rescue system.

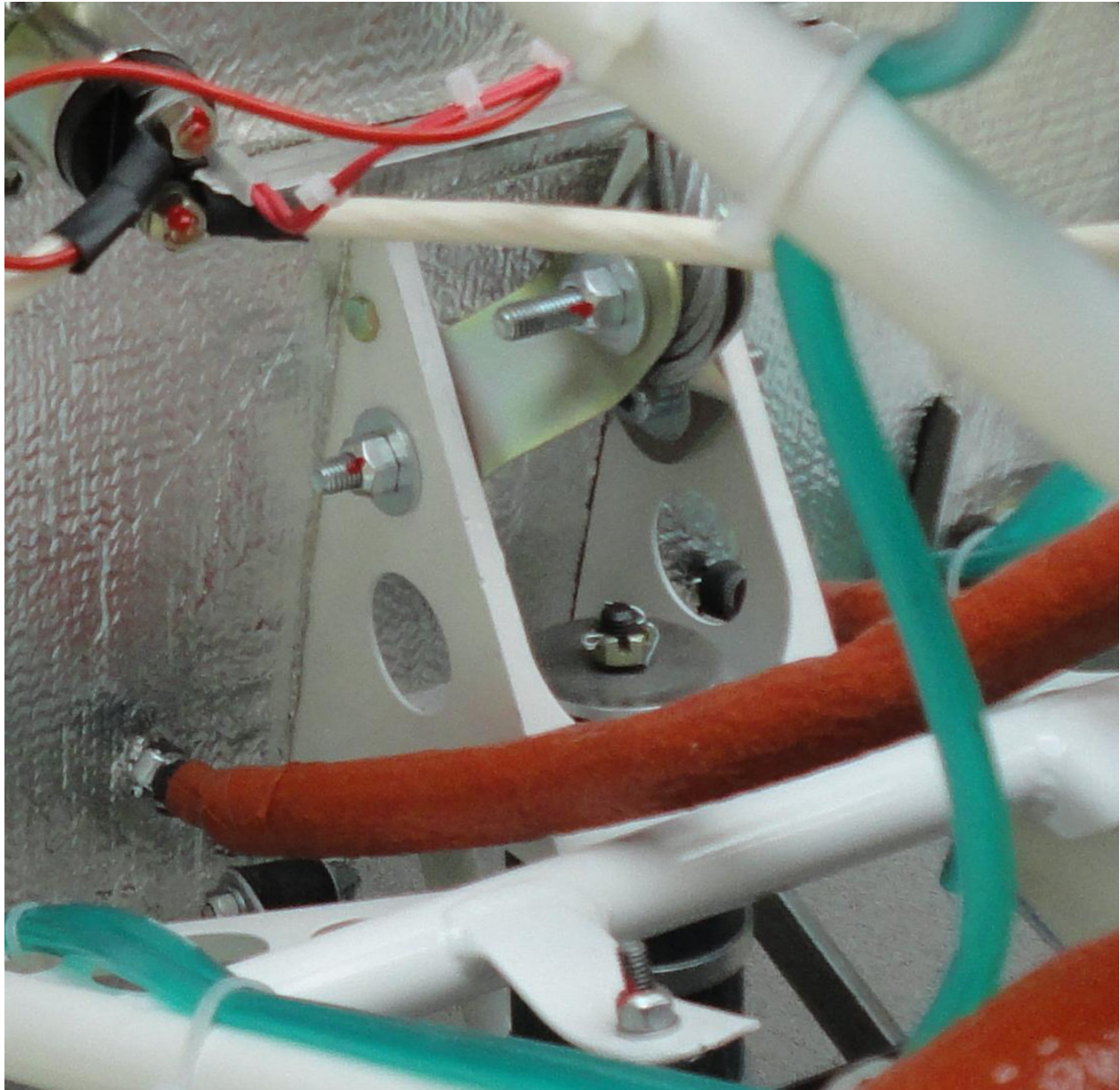
**Action:** Please, you must to change parts in hinge rescue system. Please refer to the enclosed drawing documentation. Tightening torque is 25 Nm for nuts. It is necessary to insure nuts by Loctite Threadlocker Blue 242 or similar.

**New parts:**

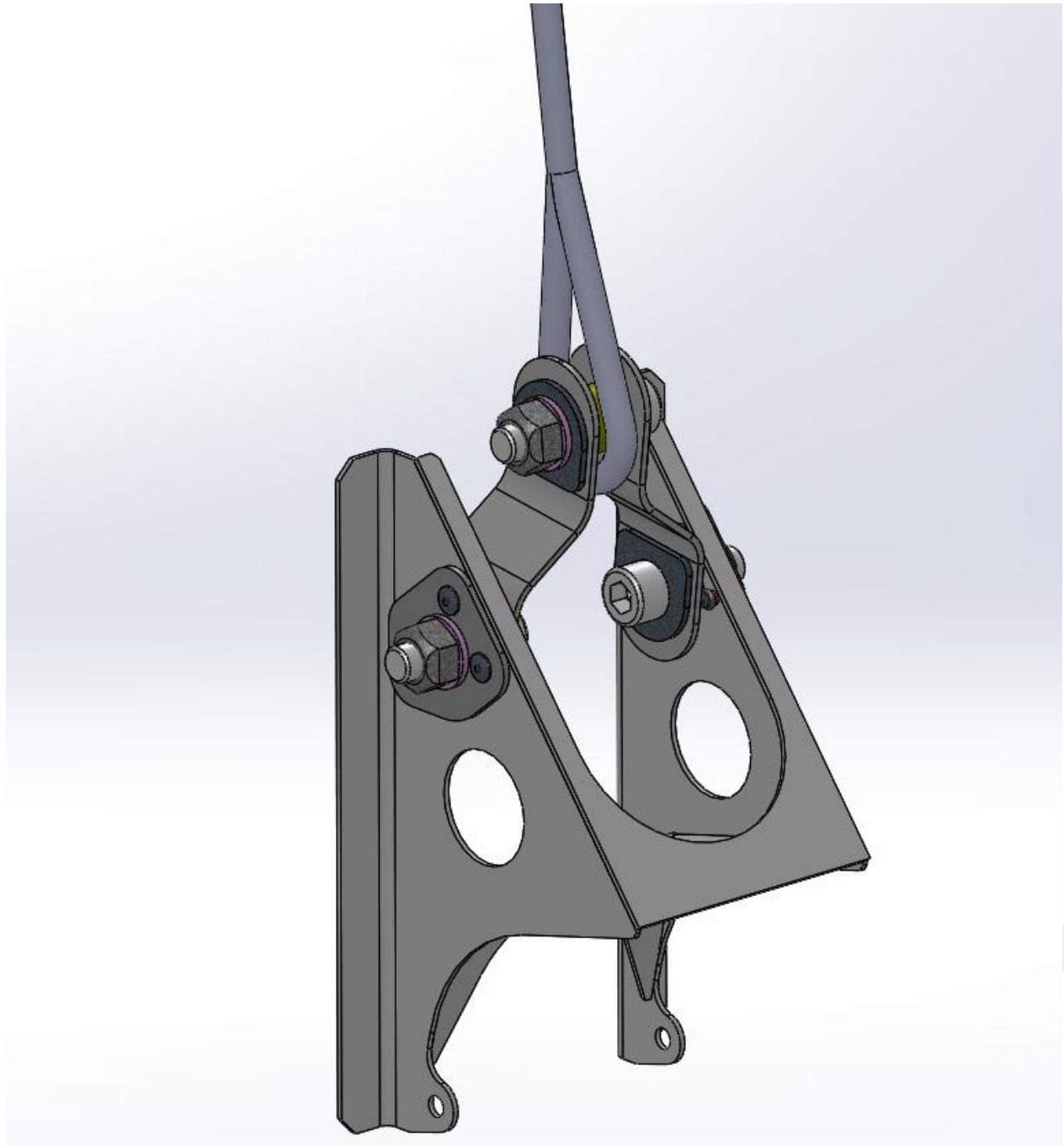
- 421\_216      4 ks
- 421\_215      2 ks
- 421\_208      2 ks
- 421\_009      2 ks
- 901\_044      1 ks
- 901\_155      2 ks
- 905\_005      3 ks
- 904\_008      3 ks
- 911\_008      6 ks

Manufacturer: ZALL JIHLAVAN airplanes, s. r. o., Znojemská 64, 58601 Jihlava, Czech Republic  
Web: [www.skyleader.aero](http://www.skyleader.aero); E-mail: [support@skyleader.aero](mailto:support@skyleader.aero)

Old solution:

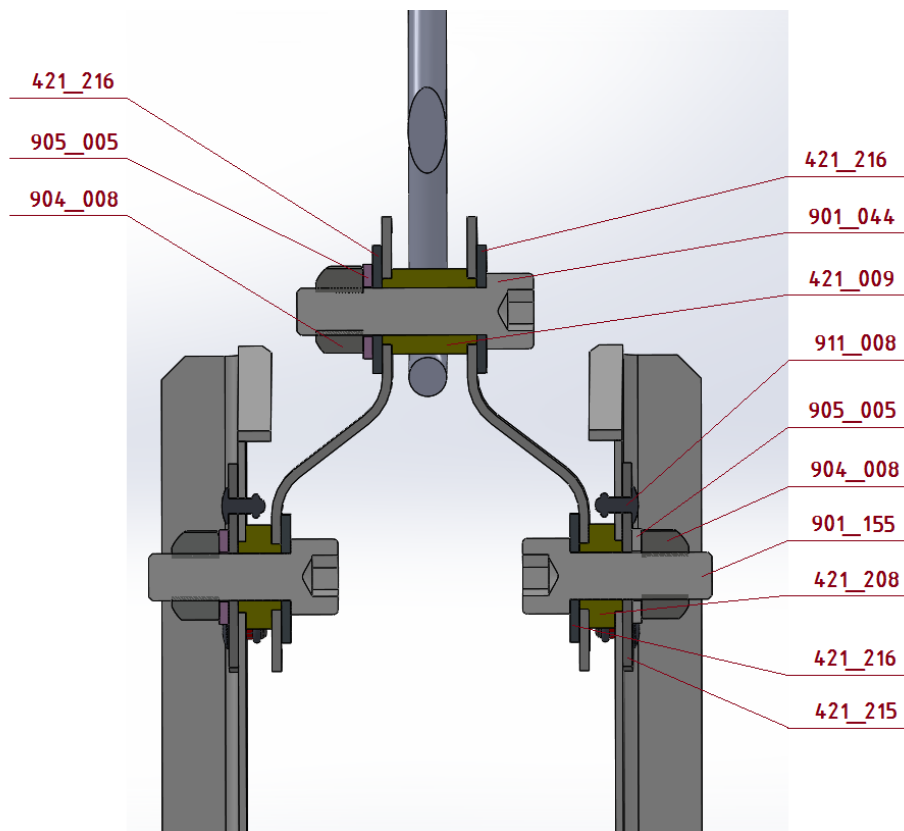


Manufacturer: ZALL JIHLAVAN airplanes, s. r. o., Znojemská 64, 58601 Jihlava, Czech Republic  
Web: [www.skyleader.aero](http://www.skyleader.aero); E-mail: [support@skyleader.aero](mailto:support@skyleader.aero)



Manufacturer: ZALL JIHLAVAN airplanes, s. r. o., Znojemská 64, 58601 Jihlava, Czech Republic  
Web: [www.skyleader.aero](http://www.skyleader.aero); E-mail: [support@skyleader.aero](mailto:support@skyleader.aero)

Section cut:



Manufacturer: ZALL JIHLAVAN airplanes, s. r. o., Znojemská 64, 58601 Jihlava, Czech Republic  
Web: [www.skyleader.aero](http://www.skyleader.aero); E-mail: [support@skyleader.aero](mailto:support@skyleader.aero)